

Edge iO28 Specifications (Hardware V3.0)

| | |
|--|---|
| Power Options and Requirements: | |
| Via Terminal | Power Supply: 24VAC +/- 3% or 24VDC +10%/-10% Consumption 100 mA |
| Connectivity: | |
| Ethernet | 2x Ethernet (Switch) Ethernet 10/100base-T auto-selection |
| Communication Options: | |
| SSH over IP | Edge iO28 gets IP address via DHCP via default, can be configured as Static |
| Edge Connect Module | Provides power and breakout for I2C, UART and GPIO add-on modules |



| Available IO | |
|-------------------|---|
| Universal Inputs | 7 |
| Digital Inputs | 7 |
| Universal Outputs | 7 |
| Digital Outputs | 5 |
| Relays | 2 |

| Edge Connect Module | |
|---------------------|--------------------------------------|
| I2C Channels | 2 |
| UART Channels | 2 |
| GPIO | 1 |
| Power | 5V DC wired or 24V serial connection |

Input/Output Details

| Name | Signal | Usage |
|------------------|---|---|
| Digital Inputs | Open/Closed Circuit, Dry Contact | Detecting the closing or opening of circuits |
| Universal Input | 0-10V DC, 4-20ma, 10/20K Resistor, Open/Closed Circuit, Dry Contact | Measuring 0-10V Sensors, Temperature, Current, and Switches |
| Universal Output | 0-12V @ 50ma Max | Controlling voltage input signal devices. Can drive a slim-line relay |
| Digital Output | 0 or 12V (Off/On) | Controlling relays, enabling equipment |
| Relays | Max 24V/2amp Capable of switching 3.3VDC to 48VDC and VAC | N/O dry contact |



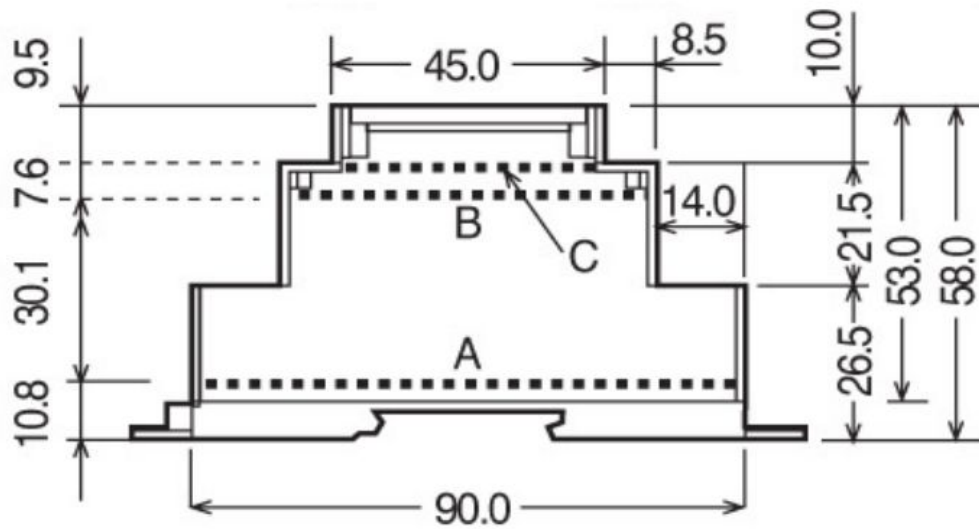
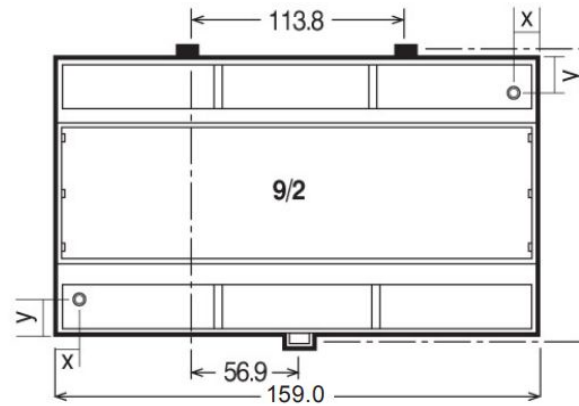
Connect Modules






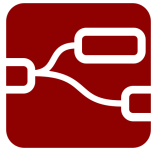
| Name | Part | Usage | Specs |
|----------------|----------------|--------------------------------------|--|
| Connect - LoRa | Connect - LoRa | LoRa droplets and micro edge sensors | Supported Frequencies 868/916 Mhz Spreading Factor 6-12 Bandwidth 7.8 - 500 kHz Effective Bitrate 018 - 37.5 kbps Est. Sensitivity -111 to -148 dBm |

Dimensions

| | |
|----------------------|-------------------------|
| Length | 159 mm |
| Width | 90 mm |
| Height | 58 mm |
| Material Type | Plastic (Polycarbonate) |
| UL Rating | UL94-V0 |
| IP Rating | IP20 |
| Mounting | DIN mount |
| Weight | 335 gms |






Computing and Programming

| | | |
|-----------------------|--|---|
| Physical Specs |  | Processor: AM335x 1GHz ARM® Cortex-A8 512MB DDR3 RAM 4GB 8-bit eMMC on-board flash storage NEON floating-point accelerator 2x PRU 32-bit microcontrollers USB client for power & communications USB host Optional storage of an SD card upto 64Gb |
| OS Software |  | Debian based OS |
| Software |  | JVM and node-js are default installed on the device |
| Programming |  | Local Flow Based Programming On-board API Node Red |

Universal Input Jumper Settings:

The Universal Inputs of the Edge are used to set the configuration from 10/20K Resistor, 0-10V DC and 4-20ma. There are three settings to configure universal input type, set with a 2-pin **jumper**.



| Mode | Purpose | Setting |
|--|--|--|
| 10/20K Resistor or Digital | Connect a thermistor or dry contact to the input and common. |  |
| 4-20 ma | Using 4-20 ma sensitive sensors. |  |
| 0-10 VDC | Measuring 0-10 VDC. |  |

Overview

The Nube-iO Edge iO-28 is a general purpose ethernet based building controller. There are 28 onboard inputs and outputs. The controller can be setup as a master and or slave configuration for IO expansion.

The Edge iO-28 can be programmed as remote IO via flow based programming. Alternatively, for application specific control, the logic code can be loaded directly onto the Edge iO-28.

| | |
|--|---|
| Feature Spotlight | <ul style="list-style-type: none"> ● Equipment condition monitoring, HVAC, lighting, temperatures, and occupancy. ● Collection, storage, and analysis of large amounts of data. ● Structured export of data for use with other analysis tools. ● Browser based programming. No need for expensive software and licensing. ● Support for low cost hardware and sensors. ● Compatibility and integration with third party products. ● Remote Monitoring via system alarms, email, and SMS notifications, allows you to respond to issues as they occur. This reduces equipment downtime and can prevent unnecessary service calls. |
| Potential Data Exchange Methods | <ul style="list-style-type: none"> ● MQTT ● Onboard database storage ● Obix (Can push data to an Obix Server) ● Inbuilt Modbus TCP Server ● JSON ● XML ● CSV ● LoRa (Long Range/Low Power Wireless sensors) |
| Compatible Security Options | <ul style="list-style-type: none"> ● TLS or SSL Security ● AES256 remote access encryption ● Payload encryption ● Device blacklisting ● Device SSL certificates |



About Nube iO

Designed by HVAC controls experts, Nube iO provides a reliable and economical platform to control and monitor your HVAC system. With emphasis on utilizing open platforms and device security Nube iO allows you to break free from restrictive BMS platforms without the huge cost of having to replace existing controllers.

Born in the age of IoT, Nube iO provides you with the ability to access your data from the web. No longer do you need hundreds of sensors or a huge budget in order to get your data online. Whether you have one sensor or thousands, the scalability of the platform makes it economical regardless of the size of your system.

To learn more about our products and solutions, visit: nube-io.com

| | |
|--------------------|--|
| Document Code | EXT-PUB-Edge iO 28 Specifications - 3.0 |
| Person Responsible | Ap |
| Date Last Updated | 19/09/19 |
| Status | Production |
| Location | 'Documentation' > 'General Publications' |

